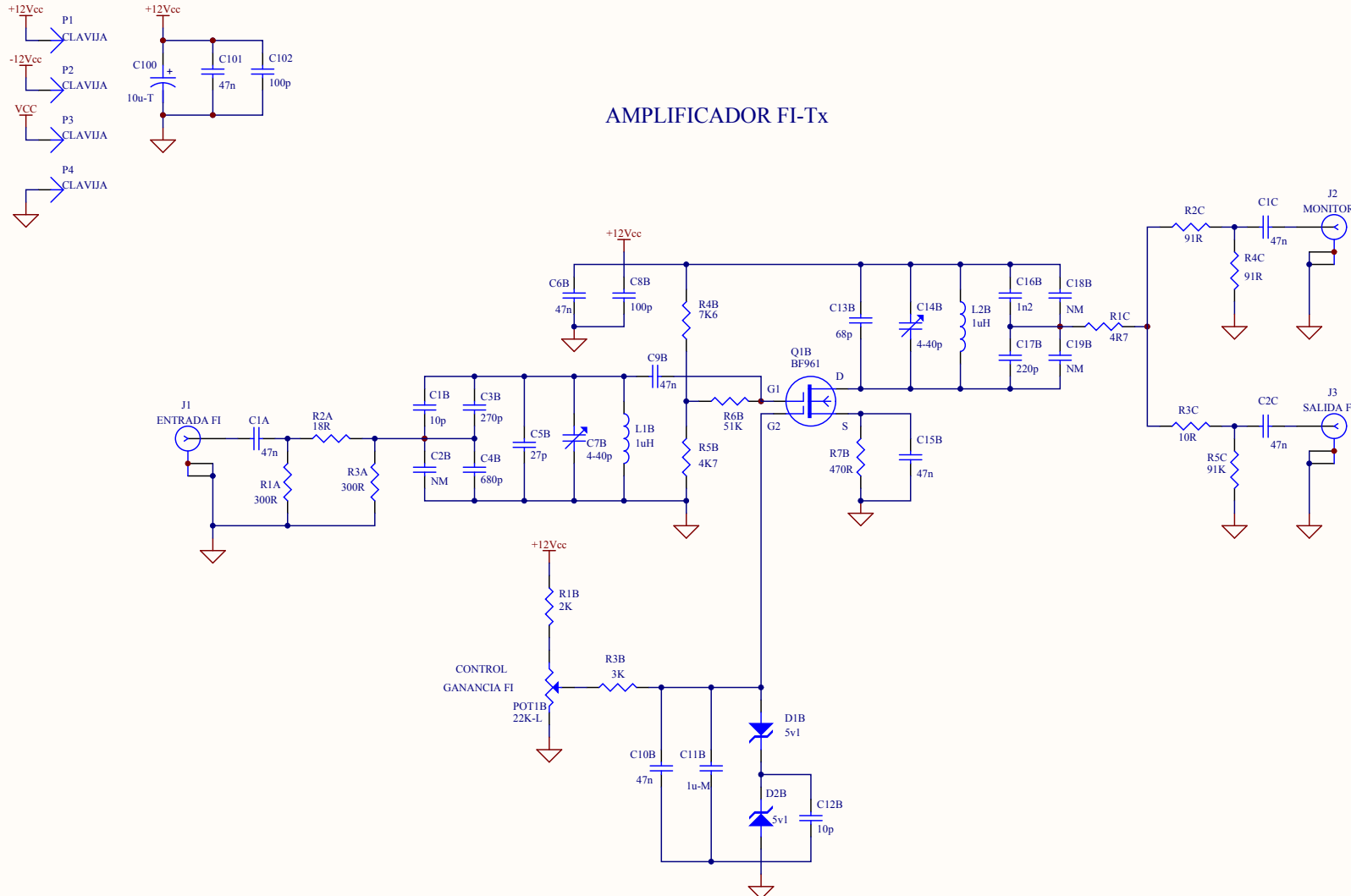


# AMPLIFICADOR FI-Tx



| Title |                          |           |
|-------|--------------------------|-----------|
| Size  | Number                   | Revision  |
| B     |                          |           |
| Date: | 01/03/2012               | Sheet of  |
| File: | D:\LECM\...\Ampfit02.sch | Drawn By: |