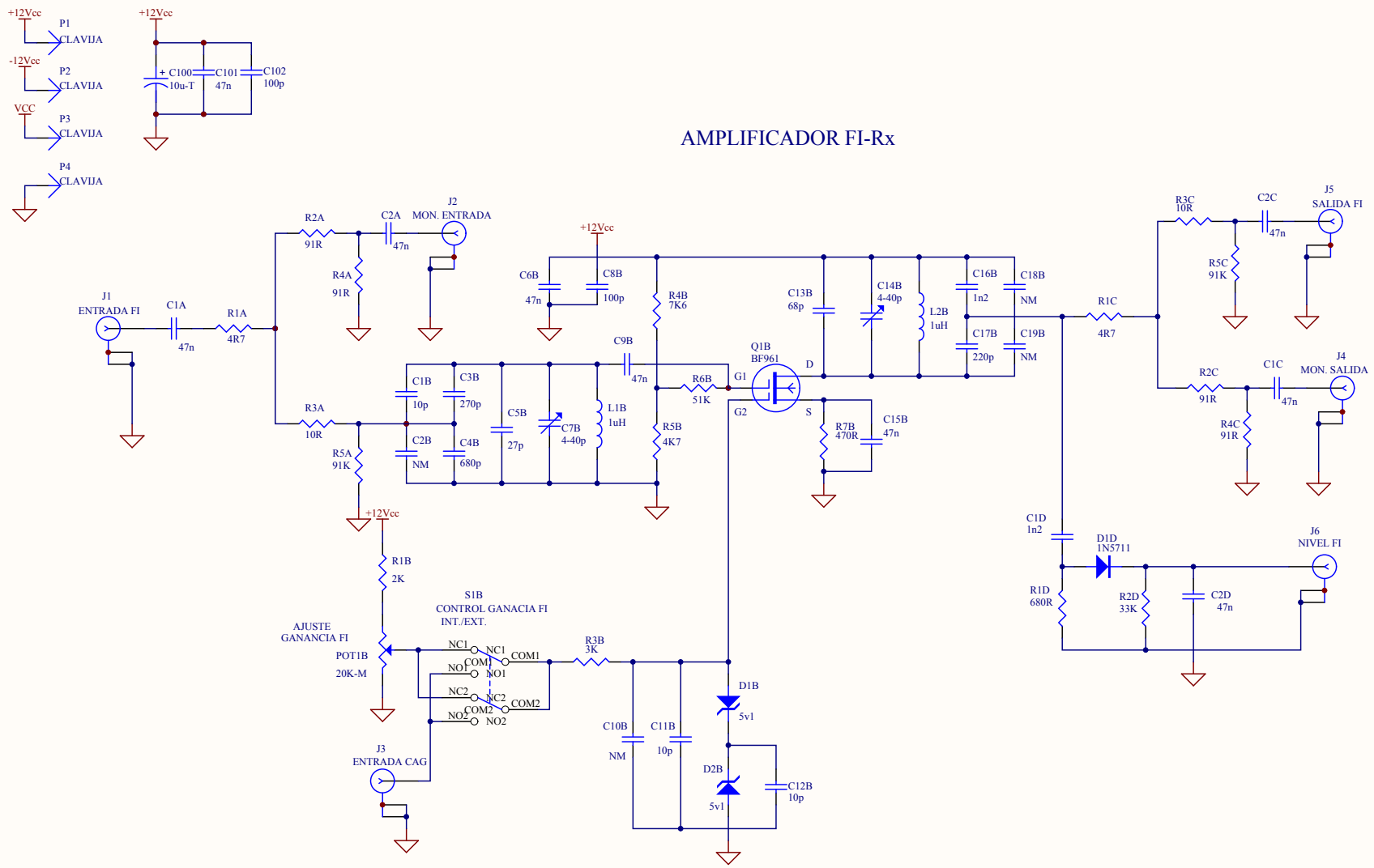


AMPLIFICADOR FI-Rx



Title		
Size	Number	Revision
B		
Date:	01/03/2012	Sheet of
File:	D:\LECM\Ampfir02.sch	Drawn By: