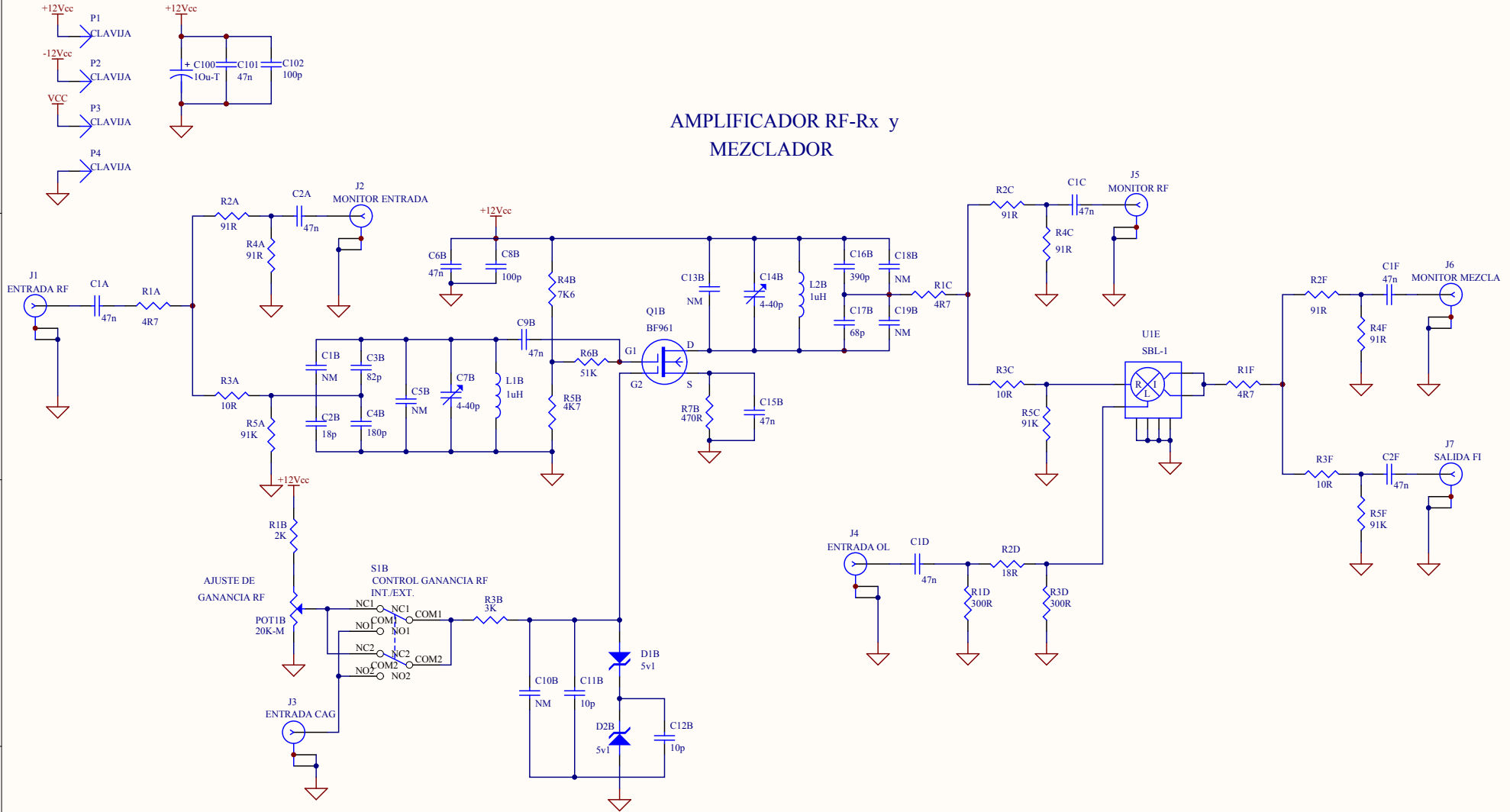


# AMPLIFICADOR RF-Rx y MEZCLADOR



Title		
Size	Number	Revision
B		
Date:	08/04/2012	Sheet of
File:	D:\LECM\Amprfr02.sch	Drawn By: